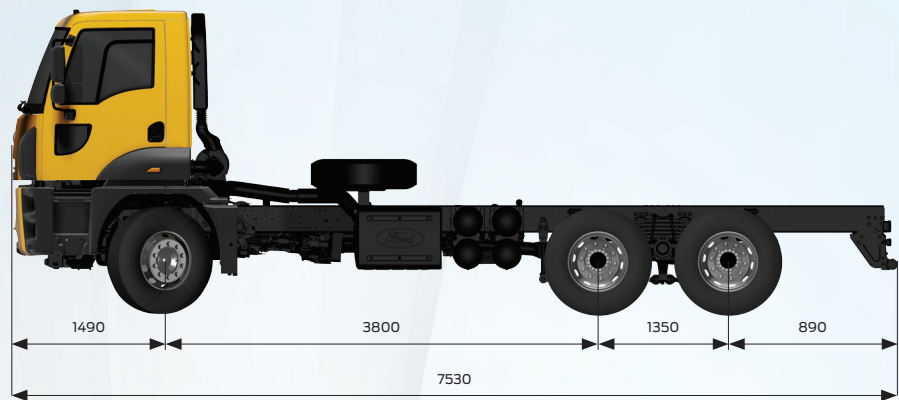


FORD TRUCKS 3543D EURO3



Basic Features

Vehicle Type	Tipper
Axle	6x4
Emission	Euro 3
Cabin Type	Day Cab
Wheelbase (mm)	3800

Engine

Type	Ecotorq 12,7 liters
Displacement (cc)	12740
Diameter x Stroke	130 mm x 160 mm
Power	430 PS (316,3 kW) / 1800 rpm
Torque	2150 Nm / 1000-1300 rpm
Compression Ratio	17 +/- 0,5 : 1
Oil Filling Volume	50 L
Coolant Volume	37 L (57 L with Intarder)

Transmission

Clutch	430 mm Single Disc
Manuel Transmission / Ratios (1. gear - 16. gear)	ZF 16S 2230 (13,805-0,836)
Automated Transmission / Ratios (1. gear - 12. gear)	ZF 12 TX 2210 (16,688-1)

Steering

Power Assisted Single Circuit

Chassis

Chassis Thickness	10 mm with Reinforcement
Chassis Strength	500 MPa
Suspension (Front / Rear)	90 mm Parabolic Leaf Springs / 100 mm Multileaf Tandem Suspension
Axle	Hub Reduction
Axle Ratio (Manual / Automatic)	4,08 / 3,57
Tyres	315/80 R 22,5
Wheel Rim	22,5 x 9 Steel

Braking System

Brakes (Front / rear) (Ø.mm x mm. Length)	410 X 200, Z-Cam Brake System
Braking System	Dual Brake Circuit - Air Processing Unit with Integrated Oil Seperator and Heater
Engine Brake Power	max. 340 kW (Engine Level)
Intarder Power	max. 600 kW / continuous 160 kW

Electrical System

Battery	24 V, 2 x 12 V 180 Ah
Alternator / Starter Motor	130 A / 6,5 kW

Tanks

Fuel Tank	315 L Steel
-----------	-------------



Dimensions (mm)

Front Overhang	1490
Wheelbase	3800
Overall Length	7530
Distance Between 2 nd and 3 th Wheel Centers	1350
Overall Cab Length	1820
Overall Vehicle Height	3224
Overall Vehicle Width (Excluding Mirrors)	2540
Chassis Width	770
Rear Overhang	890
Useful Chassis Length	5890
Chassis Height - Front	225
Chassis Height - Rear	285
Ground Clearance - Front	511
Ground Clearance - Rear	303
Turning Radius	8790

Weights (kg)	1. Axle	2. Axle	3. Axle	Total
Technically Permissible Weights	7500	13400	13400	34000
Kerb Weight	5109	2275	2244	9628
Payload	2391	1125	1156	24372

STANDARD EQUIPMENT

- Air Conditioner
- Radio/CD Player
- Cruise Control
- Drum Brake
- Engine Brake
- Transmission Offset (double gear) PTO without Flange and Interior Control Unit
- Electrically Operated Windows
- Electrically Operated and Heated Mirrors
- Electrically Operated Headlamp Levelling
- Rake and Reach Adjustable Steering Column
- Heated and Air Suspended Driver Seat
- Switchable Air Compressor for improved Fuel Economy
- Lumbar Support
- Manually Operated Sunroof
- Front Vehicle Antiroll Bar
- Anti-Lock Brake System (ABS)
- Brake Lining Wear Indicator
- Immobilizer
- Single Key with Remote Control and Central Locking
- Home Safe Light
- Approach Light
- Roof Beacon Light
- Differential Lock
- Short Bumper
- Tyre Pressure Gauge
- Tinted Glass (70% Transmissibility)
- Headlamp Protection Grilles
- Vertical Exhaust
- Tachometer Simulator Unit (TSU)

OPTIONAL EQUIPMENT

- Automated Transmission (with Normal Mode, Off-Road Mode, Rocking Mode)
- Engine Driven PTO & Interior Control Unit *
- Intarder
- Wet Type Cab Heater
- Cooling Pack 2 (Wet Type Heater & Cold Pack Battery)
- Power Cab Tilting
- Transmission Driven PTO Options & Interior Control Unit
- Rear Window
- Automatic Traction Control (ATC)
- Double Passenger Seat
- Fire Fighter Pack
- Lateral Protection
- Mechanical Tachograph

* Available for Fire Fighter Pack & Residual Collection Pack

This leaflet includes products designed for Ford Trucks vehicles. It provides information about the current technical specifications and the standard or optional accessories available as of the date it was issued. Features of standard and optional accessories of the vehicles may be changed from time to time. For this reason, please consult our Authorized Dealers to obtain updated and accurate information on the features of the vehicle you wish to buy. For the aforementioned reason, this leaflet does not constitute an assurance as to the specifications listed herein. The images used in this leaflet may be different from the vehicles on sale. The technical specifications provided herein are for standard vehicles. Selection of any optional accessories might cause differences from these specifications.